

20 L

INSTRUCTION MANUAL

РУКОВОДСТВО ПО ЭКСПЛУАТАЦИИ

ІНСТРУКЦІЯ З ЕКСПЛУАТАЦІЇ

ПАЙДАЛАНУ ЖӨНІНДЕГІ НҰСҚАУЛЫҚ

GB	MICROWAVE OVEN.....	3
RUS	ПЕЧЬ МИКРОВОЛНОВАЯ БЫТОВАЯ	5
UA	МІКРОХВИЛЬОВА ПІЧ.....	7
KZ	МИКРОТОЛҚЫНДЫ ПЕШ.....	10



www.scarlett.ru



UA.TR.010



GB DESCRIPTION

1. Door lock system
2. Oven window
3. Waveguide mica shield (Do Not Remove!)
4. Shaft
5. Roller ring
6. Glass tray
7. Timer switch
8. Power switch

RUS УСТРОЙСТВО ИЗДЕЛИЯ

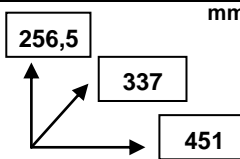
1. Фиксаторы дверцы
2. Окно дверцы
3. Заслонка волновода (НЕ СНИМАТЬ!)
4. Ось
5. Вращающееся кольцо
6. Стеклоблюдо
7. Таймер
8. Переключатель режимов

UA ОПИС

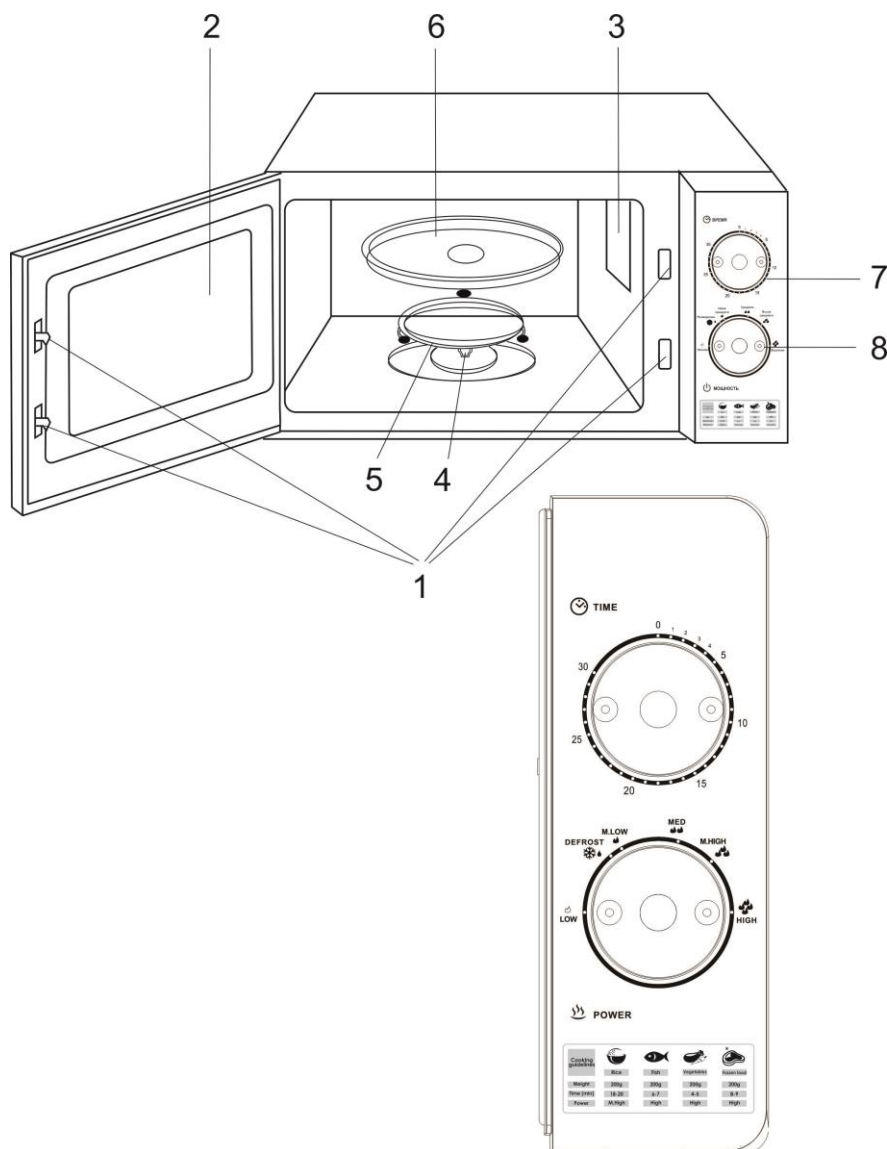
1. Засувки дверцят
2. Вікно дверцят
3. Заслінка хвилеводу (НЕ ЗНИМАТИ!)
4. Вісь
5. Обертове кільце
6. Скляне блюдо
7. Таймер
8. Перемикач режимів

KZ СИПАТТАМА

1. Есік ілгешектері
2. Есік терезесі
3. Толқын ағызғысы жапқышы (ШЕШПЕНІЗ!)
4. Ось
5. Айналмалы сақина
6. Шыны табақ
7. Таймер
8. Тәртіптердің ауыстырып қосқышы

220-240 V~ 50 Hz	Maximum power input / Максимальная потребляемая мощность: 1150 W Microwave power/ Мощность микроволн: 700 W Operation frequency/Рабочая частота: 2450 MHz	10,1 kg	
------------------	--	---------	---

Технические характеристики могут быть изменены заводом-изготовителем без предварительного уведомления. Указанные масса и геометрические размеры имеют приблизительные значения.



GB INSTRUCTION MANUAL

IMPORTANT SAFEGUARDS

• **IMPORTANT SAFEGUARDS. READ CAREFULLY AND KEEP FOR FUTURE REFERENCE.** Incorrect operation and improper handling can lead to malfunction of the appliance and injuries to the user.

• Before connecting the appliance for the first time check that voltage indicated on the rating label corresponds to the mains voltage in your home.

WARNING! The appliance cord plug has a grounding wire and a terminal. The wall outlet must be suitable and provided with proper grounding.

• The appliance is intended for use only in domestic aims. The unit is not intended for industrial and commercial use, and also for use in:

- kitchen area for the staff of shops, offices and the other industrial places
- farm houses
- hotels, motels, rest homes and other similar places by residents.

• Do not use outdoors.

• If the power cord is damaged it should be replaced by the manufacturer or authorized servicing center or qualified professional for safety reasons.

• Always unplug the appliance from the power supply before cleaning and when not in use.

• The appliance is not intended for use for physically, sensory or mental disabled person (including children) or for person with lack of life experience or knowledge, if only they are under supervision or have been instructed about the use of the unit by responsible person.

• Children must be under control in order not to be allowed to play with the appliance.

• Do not attempt to repair, adjust or replace any parts of the appliance. Check and repair the malfunctioning appliance in the nearest service center only.

• Do not leave the appliance switched on when not in use.

• Do not use other attachments than those supplied.

• Do not attempt to repair, adjust or replace parts in the appliance. Check and repair the malfunctioning appliance in the nearest service center only.

ATTENTION! To avoid microwaves leakage danger, any cover may be removed by authorized specialists only.

• Keep the cord away from sharp edges and hot surfaces.

• Do not pull, twist, or wrap the power cord around the appliance.

• Do not use the appliance for drying clothes or paper.

• In case of power cord is damaged, its replacement should be done by the manufacture or service department or the other high-skill person to avoid any danger.

ATTENTION! To prevent explosion do not process with microwaves any liquids or other products in hermetically closed utensils.

• While heating liquids with microwaves, subsequent rough boiling may take place, therefore it is necessary to take care while handling the utensils.

• To avoid an explosion, pierce a product, which has a dense peel, such as potatoes, apples, egg yolk, chestnuts, sausage etc.

• To prevent fire while heating food in the microwave oven using utensils made of inflammable materials, such as plastic or paper, it is necessary to watch the oven.

• To prevent ignition or any malfunctions it is necessary to remember, that:

- Burning of products results from too long preparation;
- Remove all packing and foil before cooking;
- In case of fire accident do not open the oven door, switch off the microwave oven and unplug it.

• Do not switch on the oven when it is empty. Do not use the chamber to store anything.

• Microwave oven is not intended for conservation of products.

• Do not put products directly on the bottom of the chamber, use glass dish.

• Always check the food temperature, especially if you are cooking for a child. Let the food cool down within several minutes.

• Always follow recipes of cooking, but remember, that some products (jams, puddings, stuffing for a pie from almonds, sugar or candied fruit) are heating up very quickly.

• To prevent short circuit keep air holes of the unit free of water.

• Microwave oven is intended for heating food and beverages. Drying of food or clothing and heating pads, slippers, sponges, wet clothes and similar things can lead to injury, fire and fire.

IMPORTANT:

• Do not cook food directly on the glass tray. Place food in/on proper cooking utensil before placing in the oven.

• Before cooking please ensure that the cookware you are going to use is suitable for microwave oven.

• Microwave utensils should be used only in accordance with manufacturer's instructions.

• Please remember that a microwave oven heats liquid in a container quicker than the container itself. Therefore, though the lid of the container is not hot to touch when removed from the oven, please remember that the food/liquid inside may be hot.

• Preliminary remove all packing, metal strips and foil from products.

• **Do not cook eggs in shell or warm up hard-boiled eggs in microwave ovens, since the eggs may explode even after the microwave heating is finished.**

• Improper oven cleaning may result in surface wear-out that may influence the appliance functioning and represent danger to users.

• If the product has been exposed to temperatures below 0°C for some time it should be kept at room temperature for at least 2 hours before turning it on.

• The manufacturer reserves the right to introduce minor changes into the product design without prior notice, unless such changes influence significantly the product safety, performance, and functions.

• Production date mentioned on the unit and/or on the packing materials and documentations.

HOW TO CHOOSE YOUR MICROWAVE COOKWARE

WARNING! Follow utensils' marking and Manufacturer's guides.

APPLICABLE

• **Heat-proof glassware** – It is most suitable for microwave cooking.

• **Heat-resistant plastic container** – Do not use tightly closed containers. Cannot be used for packing or containing foods with high fat or sugar contents.

• **Earthenware or chinaware** – Conventional utensils of these materials are allowed unless fired with gold, silver or any decorative metallic elements.

• **Special packing** (paper, plastic, etc.) for microwave ovens. Follow manufacture's guides exactly when use.

INAPPLICABLE

• **Film for freshment preservation and heat-resistant combustible plastic wares** – Never apply for packing meat or frying foods.

• **Metal wares (e.g. aluminum, stainless steel, etc.) and aluminum foil*** – Won't let microwaves go through and will spark or ignite touching the cavity wall during cooking.

* Applicable for wrapping several parts of product to prevent overheating and resulting burnt. Avoid contact with interior walls, minimum distance must be more than 2 cm.

• **Plastics** – Unfit for microwave cooking.

• **Non-heat-proof glassware** – May deform or flaw in a highly hot circumstance. Curved or strengthened glassware is not applicable.

• **Lacquer ware** – May flaw or peel off.

- **Paper, bamboo or wooden ware** – May be burnt while cooking.
- **Melamine dishes** – contain a material, which absorbs microwave energy. This may cause cracking of the dishes or char and will slow down the cooking speed.
- In those cases when plastic or paper containers are used to heat the food in the oven, watch the oven and make sure the containers do not catch fire.

HOW TO IDENTIFY COOKWARE APPROPRIATENESS FOR MICROWAVE COOKING?

- Put the intended cookware together with a glass of water (250 ml) inside the oven cavity, and then switch on the oven at the maximum power for one minute.
- Suitable for microwave cookware will be as cool as ever, while the water will absorb the energy and become warmer.

USEFUL TIPS

- For uniform heating turn over products during cooking.
- Do not cook in a container with a restricted opening, such as a soft drink bottle or salad oil bottle, as they may explode if heated in a microwave oven.
- Do not use conventional meat or candy thermometers. These are thermometers available specifically for microwave cooking. These may be used.

BEFORE YOU CALL FOR SERVICE

- Check to ensure that:
 - Power supply is valid;
 - Timer settings are proper;
 - Door is securely closed engaging the door safety lock system.

RADIO INTERFERENCE

- Operation of the microwave oven can cause interference to your radio, TV or similar equipment.
- When there is interference, it may be reduced or eliminated by taking the following measures:
 - Clean door and sealing surface of the oven;
 - Move the microwave oven away from the receiver;
 - Reorient the receiving antenna of radio or television.
 - Plug the microwave oven into a different outlet so that microwave oven and receiver are on different branch circuits.

INSTALLATION

- Make sure that all the packing materials are removed from the unit.
- Check the oven for any damage in transit:
 - Misaligned or bent door and sealing;
 - Housing and door window;
 - Inside surfaces.
- If any damage occurs while using, switch off and unplug the oven and contact qualified service personnel.
- Place the microwave oven on a flat, stable surface, able to hold its weight with a food to be cooked in the oven.
- Do not place the oven where heat, moisture or high humidity are generated, or near flammable materials.
- Do not place anything on the oven. Do not block any openings on the appliance.
- For correct operation, the oven must have sufficient airflow. Allow 20 cm free space above the oven, 10 cm back and 5 cm from both sides.

MICROWAVE COOKING METHODS

- Do not stack food. Arrange it in a single layer only. Place thicker pieces closer to dish edges.
- Watch cooking time. Cook for the shortest amount of time indicated and add more if needed. Food severely overcooked food may smoke or ignite.

NOTE: Cooking time may also vary depending on products shape, cut and arrangement.

- Cover products with special microwave lids or plastic wrap with one corner folded back to let out excess steam. Lids and glass casseroles are very hot – handle it carefully!
- Rearrange food such as meatballs halfway through cooking both from the top to the bottom and the center of the dish to the outside.
- Round/oval dishes rather than square/oblong ones are recommended, as food in corners tends to overcook.

- For best results remove all products from package, place at a shallow container or on a microwave cooking rack. The Glass Turntable must be used every time.
- Arrange such products as potatoes, cupcakes etc in a circle with at least 2.5 cm space between for uniform treatment.
- Pierce product shell or skin before cooking to avoid burst.
- Reheat only precooked refrigerated food and stir if the amount is large.
- Popcorn – When popping popcorn in microwave oven, follow exact guides, given by each Manufacturer for its product and do not leave microwave oven unattended at this time. If corn fails to pop after the suggested time, interrupt cooking. Overcooking could result in fire.

CAUTION: Never use brown paper bags for popping corn or attempt to pop leftover kernels. Do not pop prepackaged popcorn directly on the glass turntable; place the bag on a plate.

OPERATION

- Plug the oven to the mains.
 - Place food into the oven and close the door.
- NOTE:* Oven stops operating when the door is opened.
- Turn the power switch to needed cooking function guiding by the table.

Power	Cooking mode	Output
Low	WARMING UP	17%
Defrost	For best results remove all package, place products in a shallow container or on a microwave cooking rack. The Glass Turntable must be used at all times. Try to form products compactly before freezing.	37%
M-Low	MEAT AND POULTRY	40%
Med	You can use this function for cooking omelette, bakes, and creams.	66%
M.High	This function is suitable for cooking sandwiches, pizzas, hot dogs.	85%
High	Use this function for batch, cooking meat, fish, baked potatoes and vegetables.	100%

- Use the timer to select correct cooking time.
- TIMER**
- The timer is for setting **30** min. cooking time maximum.
 - To switch the oven on, turn the timer clockwise.
 - Set the time by turning the knob further clockwise.
 - The oven, inner lighting and cooling fan will turn on while the time is counting down.
 - Whenever you wish to interrupt the operation, you can turn the timer counterclockwise back to "0" position or open the door.

CAUTION: Always return the timer back to zero position if the food was removed from the oven before the set cooking time is complete or when the oven is not in use.

CAUTION: If your need to set time less than 2 minutes, first turn the timer to 3 minutes position and turn back to your desired time.

- After treatment time is over, the oven will automatically go off and the beep will sound.

COOKING INTERRUPTION

- This feature is useful for checking food cooking degree.
- Cooking will be stopped while the door is opened. With the closed door treatment will continue.
- Обработку можно прервать, просто открыв дверцу. Если ее закрыть, процесс будет продолжен.
- Для открытия двери потяните за ручку .

CLEANING AND CARE

- The oven should be cleaned regularly, its surface should be free of any food remainders.
- Before cleaning switch off and unplug the appliance from power supply.
- Let the oven cool down completely.
- Wipe the control panel, an external, internal surfaces and glass turntable by a damp cloth with warm soapy water and wipe dry.
- Do not use aggressive or abrasive materials.

- To avoid unpleasant smells out of the chamber make the following operation: in deep utensils, suitable for cooking in the electric oven, add a glass of water with juice of one lemon. Set the timer to 5 minutes, switch the mode control to the maximum position. After the signal take the utensils out from the chamber and wipe inside walls with a dry cloth.

STORAGE

- Be sure the appliance is unplugged.
- Complete all requirements of chapter "CLEANING AND CARE".
- Keep electric oven with slightly opened door in a dry cool place.



The symbol on the unit, packing materials and/or documentations means used electrical and electronic units and battery's should not be tossed in the garbage with ordinary household garbage. These units should be passed to special receiving point.

For additional information about actual system of the garbage collection address to the local authority.

Valid utilization will help to save valuable resources and avoid negative work on the public health and environment which happens with incorrect using garbage.

RUS РУКОВОДСТВО ПО ЭКСПЛУАТАЦИИ МЕРЫ БЕЗОПАСНОСТИ

- ВАЖНЫЕ ИНСТРУКЦИИ ПО БЕЗОПАСНОСТИ ПРОЧИТАЙТЕ ВНИМАТЕЛЬНО И СОХРАНИТЕ ДЛЯ ДАЛЬНЕЙШЕГО ИСПОЛЬЗОВАНИЯ

- Неправильное обращение с прибором может привести к его поломке и причинить вред пользователю.
- Перед первоначальным включением проверьте, соответствуют ли технические характеристики, указанные на изделии, параметрам электросети.

ВНИМАНИЕ! Вилка шнура питания имеет провод и контакт заземления. Подключайте прибор только к соответствующим заземленным розеткам

- Прибор предназначен для использования только в бытовых целях согласно данному Руководству по эксплуатации. Прибор не предназначен для промышленного и коммерческого применения, а также для использования:

- в кухонных зонах для персонала в магазинах, офисах и прочих производственных помещениях;
- в фермерских домах;
- клиентами в гостиницах, отелях, пансионатах и других похожих мест проживания.

- Не использовать вне помещений.
- Всегда отключайте устройство от электросети перед очисткой, или если Вы его не используете.
- Прибор не предназначен для использования лицами (включая детей) с пониженными физическими, сенсорными или умственными способностями или при отсутствии у них жизненного опыта или знаний, если они не находятся под присмотром или не проинструктированы об использовании прибора лицом, ответственным за их безопасность.

- Дети должны находиться под присмотром для недопущения игр с прибором.

- Не пытайтесь самостоятельно ремонтировать устройство. При возникновении неполадок обращайтесь в ближайший Сервисный центр.

ВНИМАНИЕ! Использование печи детьми без надзора разрешается только в том случае, если им объяснены правила безопасного использования печи и те опасности, которые могут возникнуть при ее неправильном пользовании.

- Не оставляйте включенный прибор без присмотра.
- Не используйте принадлежности, не входящие в комплект поставки.
- При повреждении шнура питания его замену, во избежание опасности, должны производить

изготовитель, сервисная служба или подобный квалифицированный персонал.

ВНИМАНИЕ! При повреждении дверцы или дверных уплотнений с печью работать нельзя до тех пор, пока квалифицированный специалист не устранит неисправность.

ВНИМАНИЕ! Во избежание опасности повышенной утечки микроволнового излучения все ремонтные работы, связанные со снятием любых крышек, должны выполняться только специалистами.

- Следите, чтобы шнур питания не касался острых кромок и горячих поверхностей.
- Не тяните за шнур питания, не перекручивайте и не обматывайте его вокруг устройства.
- Используйте микроволновую печь только для приготовления продуктов. Ни в коем случае не сушите в ней одежду, бумагу или другие предметы.

ВНИМАНИЕ! Жидкости или другие продукты нельзя разогревать в закрытых емкостях во избежание взрыва этих емкостей.

- При нагреве напитков с помощью микроволн может иметь место последующее бурное кипение, поэтому необходимо проявлять внимание и осторожность при обращении с емкостями.

- Чтобы продукты не лопались во время приготовления, перед закладкой в печь протыкайте ножом или вилкой плотную кожуру или оболочку, например, картофеля, яблок, каштанов, колбасы и т.п.

- При нагреве в печи пищевых продуктов в посуде из пластика или бумаги необходимо наблюдать за печью, чтобы не допустить возгорания.

- Во избежание возгорания в печи необходимо:

- избегать пригара продуктов в результате слишком продолжительного приготовления;

- загружать продукты в микроволновую печь без упаковки, в т.ч. без фольги;

- при появлении дыма необходимо отключить печь и держать дверцу закрытой, чтобы избежать выхода пламени.

- Не включайте печь с пустой камерой. Не используйте камеру для хранения чего-либо.

- Микроволновая печь не предназначена для консервирования продуктов.

- Не выкладывайте продукты непосредственно на дно камеры, используйте стеклянное блюдо.

- Во избежание ожогов необходимо перемешивать или взбалтывать содержимое бутылочек и баночек с детским питанием и проверять температуру пищи перед употреблением.

- Руководствуйтесь рецептами приготовления, но помните, что некоторые продукты (джемы, пудинги, начинки для пирога из миндаля, сахара или цукатов) нагреваются очень быстро.

- Во избежание короткого замыкания и поломки печи, не допускайте попадания воды в вентиляционные отверстия.

- Микроволновая печь предназначена для нагрева пищевых продуктов и напитков. Сушка пищевых продуктов или одежды и нагрев ковриков, тапочек, губок, мокрой одежды и подобных вещей может привести к травме, воспламенению и пожару.

ВНИМАНИЕ:

- Продукты следует готовить в специальной посуде, а не выкладывать непосредственно на стеклянное блюдо, за исключением случаев, специально оговоренных в рецепте приготовления блюда.

- Следует использовать только посуду, предназначенную для использования в микроволновых печах.

- Пригодной для приготовления в микроволновых печах посудой следует пользоваться в строгом соответствии с инструкциями изготовителя посуды.

- Помните, что в микроволновой печи содержимое нагревается намного быстрее, чем посуда, поэтому

будьте предельно внимательны при извлечении посуды из печи, осторожно открывайте крышку во избежание ожога паром.

- Предварительно удаляйте с продуктов или их упаковки металлические ленты и фольгу.
- **В микроволновых печах нельзя готовить яйца в скорлупе и разогревать сваренные вкрутую яйца, т.к. они могут взорваться даже после окончания микроволнового нагрева.**
- Ненадлежащее поддержание печи в чистом состоянии может привести к износу поверхности, что может неблагоприятно повлиять на работу прибора и создать возможную опасность для пользователя.
- Если изделие некоторое время находилось при температуре ниже 0°C, перед включением его следует выдержать в комнатных условиях не менее 2 часов.
- Производитель оставляет за собой право без дополнительного уведомления вносить незначительные изменения в конструкцию изделия, кардинально не влияющие на его безопасность, работоспособность и функциональность.
- Дата производства указана на изделии и/или на упаковке, а также в сопроводительной документации.

ПОСУДА ДЛЯ МИКРОВОЛНОВОЙ ПЕЧИ

ВНИМАНИЕ! Руководствуйтесь маркировкой на посуде и указаниями производителя.

ПРИГОДНАЯ

- **Жаропрочное стекло** – наилучший материал посуды для приготвления в микроволновой печи.
- **Термостойкий пластик** – в такой посуде не следует готовить пищу с высоким содержанием жира или сахара. Нельзя использовать плотно закрывающиеся контейнеры.
- **Фаянс и фарфор** – подходят для готовки в микроволновой печи, за исключением позолоченной, посеребренной или посуды с декоративными металлическими элементами.
- **Специальная упаковка** (бумажная, пластиковая и др.), предназначенная для микроволновых печей – строго придерживайтесь указаний изготовителя.

НЕПРИГОДНАЯ

- **Пленка для хранения продуктов, а также термостойкие полиэтиленовые пакеты** – непригодны для жарки мяса и любых других продуктов.
- **Металлическая посуда (алюминиевая, из нержавеющей стали и др.) и пищевая фольга*** – экранируют микроволны; при контакте со стенками жарового шкафа могут вызвать искрение и короткое замыкание в процессе приготовления.

* Можно применять для оборачивания одним слоем отдельных частей продукта во избежание перегрева и пригорания. Не допускайте контакта со стенками, расстояние до них должно быть не меньше 2 см.

- **Плавкие пластики** – не подходят для приготовления в микроволновой печи.
- **Лакированная посуда** – под воздействием микроволн лак может расплавиться.
- **Обычное стекло (в т.ч. фигурное и толстое)** – под воздействием высоких температур может деформироваться.
- **Бумага, соломка, дерево** – под воздействием высокой температуры могут воспламениться.
- **Меламиновая посуда** – может поглощать микроволновое излучение, что вызывает ее растрескивание или термодеструкцию и существенно увеличивает время приготовления.

КАК ОПРЕДЕЛИТЬ, ПОДХОДИТ ЛИ ПОСУДА ДЛЯ МИКРОВОЛНОВОЙ ПЕЧИ?

- Включите печь и установите переключатель режимов работы на максимальную мощность (максимальная температура), поместите в печь на 1 минуту тестируемую посуду и поставьте рядом стакан воды (~ 250 мл).
- Посуда, пригодная для приготовления пищи в микроволновой печи останется той же температуры, что

и перед установкой в печь, в то время как вода нагреется.

ПОЛЕЗНЫЕ СОВЕТЫ

- Не используйте посуду с узким горлышком, бутылки, так как они могут взорваться.
- Не используйте термометры для измерения температуры продуктов. Используйте только специальные термометры, предназначенные для микроволновых печей.

ПРЕЖДЕ ЧЕМ ОБРАТИТЬСЯ В СЕРВИС

- Если печь не включается, проверьте:
 - исправность розетки и наличие напряжения в электросети;
 - правильность установки таймера;
 - плотно ли закрыта дверца.

РАДИОПОМЕХИ

- Микроволны могут вызвать помехи при приеме теле- или радиосигналов.
- Чтобы минимизировать помехи:
 - регулярно очищайте дверцы и уплотнители;
 - устанавливайте телевизор и радиоприемник как можно дальше от микроволновой печи;
 - сориентируйте приемную антенну для достижения наилучшего результата.
 - подключите микроволновую печь и приемник к различным линиям электросети.

УСТАНОВКА

- Убедитесь, что внутри печи нет упаковочных материалов и посторонних предметов.
- Проверьте, не повреждены ли при транспортировке:
 - дверца и уплотнители;
 - корпус и смотровое окно;
 - стенки камеры.
- При обнаружении любых дефектов не включайте печь; обратитесь к продавцу или в сервисный центр.
- Установите микроволновую печь на ровную горизонтальную поверхность, достаточно прочную, чтобы выдержать вес печи с продуктами и посудой.
- Не размещайте печь вблизи источников тепла.
- Ничего не кладите на печь. Не перекрывайте вентиляционные отверстия.
- Микроволновую печь не следует располагать в шкафу. Для нормальной работы печи необходимо обеспечить свободное пространство для вентиляции: не менее: 20 см сверху, 10 см со стороны задней панели и не менее 5 см с боковых сторон.

ПРИЕМЫ ГОТОВКИ В МИКРОВОЛНОВОЙ ПЕЧИ

- Размещайте продукты только в один слой, более толстые куски кладите ближе к краям.
- Следите за временем приготовления, задавайте его по минимуму, постепенно увеличивая по мере необходимости. При слишком продолжительной готовке продукты могут задымить и загореться.

ПРИМЕЧАНИЕ: Время приготовления также может изменяться в зависимости от формы, размеров и размещения продуктов. Большие или толстые куски готовятся дольше, а мелкие – быстрее.

- Накрывайте продукты специальными крышками или пластиком, отгибая один из углов для выпуска избыточного пара. Крышки очень сильно нагреваются – обращайтесь с ними осторожно!
- Для более равномерного прогрева и ускорения приготовления переворачивайте и перемешивайте продукты.
- Круглые/овальные блюда, в отличие от квадратных/прямоугольных, также обеспечивают более равномерный прогрев.
- Размораживайте продукты без упаковки в неглубоком поддоне, обязательно используя вращающееся стеклянное блюдо. Замораживая продукты, придавайте им по возможности компактную форму.
- Расстояние между продуктами, например, овощами, кексами и т.п. должно быть не меньше 2,5 см, чтобы обеспечить равномерную обработку.

- Протыкайте плотную кожуру или оболочку, чтобы избежать разрыва продукта.
- Разогревайте только готовые и охлажденные продукты, перемешивая их.
- Попкорн – строго придерживайтесь инструкций производителя и не оставляйте микроволновую печь без присмотра. Если продукт не готов в положенное время, прервите готовку. Слишком продолжительная обработка может привести к возгоранию.

ПРЕДОСТЕРЕЖЕНИЕ: Не используйте пакеты из коричневой бумаги для приготовления попкорна и не пытайтесь использовать остатки зерен. Не помещайте упаковку с попкорном непосредственно на стеклянное блюдо, кладите его на тарелку.

РАБОТА

- Подключите печь к электросети.
- Поместите продукты в печь и закройте дверцу.

ПРИМЕЧАНИЕ: При открытой дверце печь работать не будет.

- Руководствуясь таблицей, переключателем установите режим обработки.

Мощность	Режим работы	Уровень мощности
Низкая	Подогрев.	17%
Размораживание	Размораживайте продукты без упаковки в неглубоком поддоне, обязательно с вращающимся стеклянным блюдом. Замораживая продукты, придавайте им по возможности компактную форму.	37%
Ниже среднего	Мясо и птица	40%
Средняя	Омлеты, выпечка, кремы	66%
Выше средней	Бутерброды, пицца	85%
Высокая	Выпечка, мясо и рыба, печеный картофель и другие овощи, попкорн	100%

- Установите таймер на необходимое время.

ТАЙМЕР

- Служит для установки времени обработки в пределах **30** минут.
- Чтобы включить печь, поверните ручку таймера по часовой стрелке.
- Задайте желаемое время, поворачивая ручку по часовой стрелке.
- С момента установки таймера печь включается и начинает работать внутреннее освещение и вентиляция.
- Если приготовление необходимо прервать, установите таймер в положение «0» или откройте дверцу.

ВНИМАНИЕ: Всегда возвращайте таймер в положение «0», если продукты были извлечены до окончания времени приготовления, и Вы не будете продолжать готовку.

ВНИМАНИЕ: Если для обработки требуется менее 2 минут, сначала поверните таймер за отметку, соответствующую 3 минутам, а затем верните его в необходимое положение.

- По истечении установленного времени печь автоматически отключится и раздастся звуковой сигнал.

ПРИОСТАНОВКА ПРИГОТОВЛЕНИЯ

- Данная функция полезна для проверки степени готовности продукта.
- Обработку можно прервать, просто открыв дверцу. Если ее закрыть, процесс будет продолжен.
- Для открытия двери потяните за ручку.

ОЧИСТКА И УХОД

- Печь следует регулярно чистить и удалять с ее поверхности любые остатки пищи.
- Перед очисткой выключите и отключите печь от электросети.
- Дайте печи полностью остыть.

- Протрите панель управления, внешние и внутренние поверхности, уплотнители, стеклянное блюдо влажной тканью с моющим средством.
- Не применяйте агрессивные вещества или абразивные материалы.
- Чтобы удалить неприятный запах, налейте в какую-либо глубокую посуду, пригодную для микроволновой печи, стакан воды с соком из одного лимона, и поставьте в печь. Установите таймер на 5 минут, переключатель режимов работы в максимальное положение. Когда раздастся звуковой сигнал и печь отключится, извлеките посуду и протрите стенки камеры сухой тканью.

ХРАНЕНИЕ

- Убедитесь, что печь отключена от электросети и полностью остыла.
- Выполните все требования раздела «ОЧИСТКА И УХОД».
- Храните печь с приоткрытой дверцей в сухом чистом месте.



Данный символ на изделии, упаковке и/или сопроводительной документации означает, что использованные электрические и электронные изделия и батарейки не должны выбрасываться вместе с обычными бытовыми отходами. Их следует сдавать в специализированные пункты приема. Для получения дополнительной информации о существующих системах сбора отходов обратитесь к местным органам власти. Правильная утилизация поможет сберечь ценные ресурсы и предотвратить возможное негативное влияние на здоровье людей и состояние окружающей среды, которое может возникнуть в результате неправильного обращения с отходами.

UA ІНСТРУКЦІЯ З ЕКСПЛУАТАЦІЇ

- Шановний покупець! Ми вдячні Вам за придбання продукції торговельної марки SCARLETT та довіру до нашої компанії. SCARLETT гарантує високу якість та надійну роботу своєї продукції за умови дотримання технічних вимог, вказаних в посібнику з експлуатації.
- Термін служби виробу торгової марки SCARLETT у разі експлуатації продукції в межах побутових потреб та дотримання правил користування, наведених в посібнику з експлуатації, складає 2 (два) роки з дня передачі виробу користувачеві. Виробник звертає увагу користувачів, що у разі дотримання цих умов, термін служби виробу може значно перевищити вказаний виробником строк.

ЗАХОДИ БЕЗПЕКИ

- **ВАЖЛИВІ ІНСТРУКЦІЇ З БЕЗПЕКИ. ПРОЧИТАЙТЕ УВАЖНО ТА ЗБЕРЕЖІТЬ ЗАДЛЯ МАЙБУТНІХ ДОВІДОК.** Невірне використання приладу може привести до його поломки та завдати шкоду користувачеві.
- Перед першим вмиканням перевірте, чи відповідають технічні характеристики виробу, що зазначені на наклейці, параметрам електромережі.
- **УВАГА!** Вилка шнура живлення має провід та контакт заземлення. Підключайте прилад тільки до відповідних заземлених розеток.
- Прилад призначений для використання тільки в побутових цілях. Прилад не призначений для промислового та комерційного застосування, а також для використання:
 - у кухонних зонах для персоналу в магазинах, офісах та інших виробничих приміщеннях;
 - у фермерських будинках;
 - клієнтами у готелях, мотелях, пансіонатах та інших схожих місцях проживання.
- Використовувати тільки у приміщеннях.
- Завжди відключайте пристрій з електромережі перед очищенням, або якщо Ви його не використовуєте.

- Прилад не призначений для використання особами (у тому числі дітей) зі зниженими фізичними, сенсорними чи розумовими здібностями або за відсутності в них життєвого досвіду чи знань, якщо вони не знаходяться під наглядом чи не проінструктовані про використання приладу особою, що відповідає за їхню безпеку.
- Діти повинні знаходитись під наглядом задля недопущення ігор з приладом. Не залишайте увімкнений прилад без нагляду.
- Не намагайтеся самостійно ремонтувати прилад. При виникненні неполадок звертайтеся до найближчого Сервісного центру.

УВАГА! Використання печі без нагляду дозволяється дітям тільки тоді, якщо їм були надані відповідні й зрозумілі інструкції про безпечне користування піччю та про ту небезпеку, яка може виникнути у разі невідповідного використання печі.

- Не залишайте увімкнений прилад без догляду.
- Не використовуйте приладдя, що не входить до комплексу поставки.
- У разі пошкодження кабелю живлення його заміну, задля запобігання небезпеці, повинен здійснювати виробник, сервісна служба чи подібний кваліфікований персонал.

УВАГА! У разі ушкодження дверцят або ущільнювача дверцят працювати з піччю заборонено доти, поки кваліфікований спеціаліст не усуне несправність.

УВАГА! В цілях запобігання небезпеці підвищеного витоку мікрохвильового випромінювання усі ремонтні роботи, пов'язані зі зняттям будь-яких кришок, повинні виконуватись тільки спеціалістами.

- Стежте, щоби шнур живлення не торкався гострих крайок та гарячих поверхонь.
- Не тягніть за шнур живлення, не перекручуйте та не обмотуйте його навколо пристрою.
- Використовуйте мікрохвильову піч тільки для готування їжі. Ні в якому разі не сушіть в ній одяг чи папір, або інші предмети.

УВАГА! Рідину або інші продукти не можна розігрівати у закритих ємностях, щоб запобігти вибуху цих ємностей.

- При нагріванні напоїв за допомогою мікрохвиль може мати місце наступне інтенсивне кипіння, тому необхідно приділяти увагу та обережність при роботі з ємностями.
- Щоби продукти не лопалися під час готування, перед закладкою до печі протикайте ножем, або вилкою їх шкірку, чи оболонку, наприклад, картоплі, яблук, каштанів, ковбаси та ін.
- У разі нагрівання у печі продуктів харчування у посуді з легкозаймистих матеріалів, таких як пластик або папір, необхідно слідкувати за піччю, щоб не допустити займання.
- Щоб уникнути займання у духовій шафі печі необхідно:
 - уникати пригорання продуктів у результаті занадто тривалого готування;
 - закладати продукти у мікрохвильову піч без упаковки, у т.ч. без фольги;
 - у випадку займання в камері, не відкриваючи дверцят, вимкніть піч та відключіть її з електромережі.
- Не вмикайте печі з порожньою камерою. Не використовуйте камеру для збереження будь-чого.
- Мікрохвильова піч не призначена для консервування продуктів.
- Не викладайте продукти безпосередньо на дно камери, використовуйте скляний посуд.
- Завжди перевіряйте температуру готової їжі, особливо, якщо вона призначена для дітей. Не подавайте блюдо до столу відразу ж після приготування, дайте йому трохи охолонути.
- Керуйтеся рецептами приготування, але пам'ятайте, що деякі продукти (джеми, пудинги, начинки для пирога з мигдалю, цукру чи цукатів) нагріваються дуже швидко.
- Щоб уникнути короткого замикання та пошкодження печі, не допускайте потраплення води у вентиляційні отвори.
- Мікрохвильова піч призначена для нагрівання харчових продуктів та напоїв. Висушування харчових продуктів або одягу чи нагрівання килимків, тапочок, губок, мокрого

одягу чи подібних речей може призвести до травми, загоряння або пожежі.

УВАГА:

- Продукти варто готувати у спеціальному посуді, а не викладати безпосередньо на скляне блюдо, за винятком випадків, особливо обговорених у рецепті приготування.
- Використовуйте тільки посуд, призначений для мікрохвильової печі.
- Придатним для готування у мікрохвильових пічах посудом слід користуватися у строгій відповідності з інструкціями виробника посуду.
- Пам'ятайте, що у мікрохвильовій печі вміст нагрівається набагато швидше, ніж посуд, тому будьте дуже уважні, коли виймаєте посуд з печі, обережно відкривайте кришку щоб не обваритися паром.
- Попередньо видаляйте з продуктів, або з їх упаковки металеві стрічки та фольгу.
- **У мікрохвильових печах не можна готувати яйця в шкарлупі та розігрівати зварені вкруту яйця, так як вони можуть вибухнути навіть після закінчення мікрохвильового розігріву.**
- Неналежне утримання печі в чистоті може призвести до зносу поверхні, що може негативно позначитися на роботі приладу і створити потенційну небезпеку для користувача.
- Обладнання відповідає вимогам Технічного регламенту обмеження використання деяких небезпечних речовин в електричному та електронному обладнанні.
- Якщо виріб деякий час знаходився при температурі нижче 0°C, перед увімкненням його слід витримати у кімнаті не менше 2 годин.
- Виробник залишає за собою право без додаткового повідомлення вносити незначні зміни до конструкції виробу, що кардинально не впливають на його безпеку, працездатність та функціональність.
- Дата виробництва вказана на виробі та/або на упаковці, а також у супровідній документації.

ПОСУД ДЛЯ МІКРОХВИЛЬОВОЇ ПЕЧІ

УВАГА! Керуйтеся маркіруванням на посуді та вказівками виробника.

ПРИДАТНА

- **Жаростійке скло** – найкращий матеріал посуду для готування у мікрохвильовій печі.
- **Термостійкий пластик** – у такому посуді не слід готувати їжу з високим вмістом жиру, або цукру. Не можна використовувати контейнери, що щільно закриваються.
- **Фаянс і порцеляна** – придатні для приготування у мікрохвильовій печі, за винятком посуду позолоченого, посрібленого, чи з декоративними металевими елементами.
- **Спеціальна упаковка** (паперова, пластикова, та ін.), призначена для мікрохвильових печей – строго дотримуйтеся вказівок виробника.

НЕПРИДАТНА

- **Плівка для збереження продуктів, а також термостійкі поліетиленові пакети** – непридатні для смаження м'яса та будь-яких інших продуктів.
- **Металевий посуд (алюмінієвий, з нержавіючої сталі та ін.) і продовольча фольга*** – екранують мікрохвилі; при контакті зі стінками жарової шафи можуть викликати іскріння та коротке замикання у процесі готування.
- * Можна застосовувати для огортання одним шаром окремих частин продукту щоб уникнути перегріву та пригорання. Не допускайте контакту зі стінками, відстань до них повинна бути не меншою, ніж 2 см.
- **Плавкі пластики** – непридатні для готування у мікрохвильовій печі.
- **Лакований посуд** – під впливом мікрохвиль лак може розплавитися.

- **Звичайне скло (у т.ч. фігурне і товсте)** – під впливом високих температур може деформуватися.
- **Папір, соломка, дерево** – під впливом високої температури можуть зайнятися.
- **Меламіновий посуд** – може поглинати мікрохвильове випромінювання, що викликає його розтріскування, або термодеструкцію, а також істотно збільшує час приготування.
- При нагріванні в печі харчових продуктів у посуді з пластику або паперу необхідно стежити за пічкою, щоб не допустити загоряння.

ЯК ВИЗНАЧИТИ, ЧИ ПРИДАТНИЙ ПОСУД ДЛЯ МІКРОХВИЛЬОВОЇ ПЕЧІ?

- Увімкніть піч, та установіть перемикач режимів роботи на максимальну потужність (максимальна температура), помістіть у піч на 1 хвилину посуд, що підлягає тестуванню, та поставте поруч склянку води (~ 250 мл).
- Посуд, придатний для готування їжі у мікрохвильовій печі залишиться приблизно тієї ж температури, що і перед установкою у піч, у той час, як вода у склянці нагріється.

КОРИСНІ ПОРАДИ

- Щоби продукти рівномірно прогрівалися перевертайте їх під час готування.
- Не використовуйте посуд з вузьким отвором, пляшки, тому що вони можуть вибухнути.
- Для виміру температури продуктів використовуйте тільки спеціальні термометри, призначені для мікрохвильових печей.

ПЕРШ, НІЖ ЗВЕРНУТИСЯ ДО СЕРВІСУ

- Якщо піч не вмикається, перевірте:
 - справність розетки та наявність напруги у електромережі;
 - правильність установки таймера;
 - чи щільно зачинені дверцята.

РАДІОПЕРЕШКОДИ

- Мікрохвилі можуть викликати перешкоди під час прийому теле-, чи радіосигналів.
- Щоб мінімізувати перешкоди:
 - регулярно очищайте дверцята та ущільнювачі;
 - розміщайте телевизор чи радіоприймач якнайдалі від мікрохвильової печі;
 - прямуйте прийомну антену для досягнення найкращого результату;
 - підключіть мікрохвильову піч та приймач до різних ліній електромережі.

УСТАНОВКА

- Переконайтеся, що усередині печі немає матеріалів від упаковки та сторонніх предметів.
- Перевірте, чи не ушкодилися при транспортуванні:
 - дверцята та ущільнювачі;
 - корпус та оглядове вікно;
 - стінки камери.
- При виявленні будь-яких дефектів не вмикайте піч; зверніться до продавця, або у сервісний центр.
- Установіть мікрохвильову піч на рівну горизонтальну поверхню, досить міцну, щоб витримати вагу печі з продуктами і посудом.
- Не розміщуйте піч поблизу теплових джерел.
- Нічого не кладіть на піч. Не перекривайте вентиляційні отвори.
- Для нормальної роботи печі необхідно забезпечити простір для вільної вентиляції: не менш: 20 см зверху, 10 см від задньої панелі та й не менш ніж 5 см з бокових сторін.

СПОСОБИ ГОТУВАННЯ У МІКРОХВИЛЬОВІЙ ПЕЧІ

- Розміщуйте продукти тільки одним шаром, товстіші шматки кладіть ближче до країв.
- Стежте за часом готування, задавайте його по мінімуму, поступово збільшуючи при необхідності. При занадто тривалому готуванні продукти можуть задиміти та й зайнятися.

ПРИМІТКА: Час готування також може змінюватися в залежності від форми, розмірів та розміщення продуктів. Великі або товсті шматки готуються довше, а дрібні – швидше.

- Накривайте продукти спеціальними кришками або пластиком, відгинаючи один з кутів для випуску надлишкової пари. Кришки дуже сильно нагріваються – поводьтеся з ними обережно!
- Для більш рівномірного прогріву та прискорення готування перевертайте та перемішуйте продукти.
- Круглі/овальні блюда, на відміну від квадратних/прямокутних, також забезпечують більш рівномірний прогрів.
- Розморожуйте продукти без обгортки у неглибокому піддоні або на решітці для мікрохвильової обробки, обов'язково використовуючи скляне обертове блюдо. Заморожуючи продукти, додавайте їм по можливості компактну форму.
- Відстань між продуктами, наприклад, овочами, кексами і т.п. повинна бути не меншою за 2,5 см., щоб забезпечити рівномірну обробку.
- Протикайте щільну шкірку або оболонку, щоб уникнути розриву продукту.
- Розігривайте тільки готові та охолоджені продукти, перемішуючи їх.
- Попкорн – строго дотримуйтеся інструкції виробника та не залишайте мікрохвильову піч без нагляду. Якщо продукт у заданий час не готовий, перервіть готування. Занадто тривала обробка може привести до загоряння.

ЗАСТЕРЕЖЕННЯ: Не використовуйте пакети з коричневого папера для готування попкорну та не намагайтеся використовувати залишки зерен. Не розміщуйте огортку з попкорном безпосередньо на склянному блюді, кладіть його на тарілку.

РОБОТА

- Підключіть піч до електромережі.
 - Помістіть продукти у піч та закрийте дверцята.
- ПРИМІТКА:** При відкритих дверцятах піч працювати не буде
- Керуючись таблицею, перемикачем установіть режим обробки.

Power	Режим роботи	Рівень потужності
Low	ПІДІГРІВ	17%
Defrost	РОЗМОРОЖУВАННЯ. Розморожуйте продукти без обгортки в неглибокому піддоні чи на решітці для мікрохвильової обробки, обов'язково з обертовим скляним блюдом. Заморожуючи продукти, надавайте їм по можливості компактну форму.	37%
M-Low	М'ясо та птиця	40%
Med	Омлети, випічка, креми	66%
M.High	Бутерброди, піцца	85%
High	Випічка, м'ясо та риба, печена картопля та інші овочі, попкорн	100%

- Установіть таймер на необхідний час.
- ТАЙМЕР**
- Служить для установки часу обробки в межах **30** хвилин.
 - Щоб увімкнути піч, поверніть ручку таймера у напрямку годинникової стрілки.
 - Задайте потрібний час, повертаючи ручку далі.
 - З моменту установки таймеру піч вмикається і починає працювати внутрішнє освітлення та вентиляція.
 - Якщо готування необхідно перервати, установіть таймер на "0" чи відкрийте дверцята.
- УВАГА:** Завжди повертайте таймер до "0", якщо продукти були витягнуті до закінчення заданого часу, і Ви не будете продовжувати готування.
- УВАГА:** Якщо для обробки потрібно менш ніж 2 хвилини, спочатку поверніть таймер за відмітку, що відповідає 3 хвилинам, а потім верніть його до необхідної відмітки.

- Після закінчення встановленого часу, піч автоматично вимкнеться та пролунає звуковий сигнал.

ПРИЗУПИНЕННЯ ГОТУВАННЯ

- Дана функція корисна для перевірки ступеня готовності продукту.
- Обробку можна перервати, просто відкривши дверцята. Якщо її закрити, процес буде продовжений.

ОЧИЩЕННЯ ТА ДОГЛЯД

- Піч слід регулярно чистити й усувати з її поверхні будь-які залишки їжі.
- Перед очищенням вимкніть та відключіть піч з електромережі.
- Дайте печі цілком охолонути.
- Протріть панель керування, зовнішні та внутрішні поверхні, скляне блюдо вологою тканиною з миючим засобом.
- Не застосовуйте агресивні речовини, або абразивні матеріали.
- Щоб видалити неприємний запах, налейте у який-небудь глибокий посуд, придатний для мікрохвильової печі, склянку води із соком одного лимона, та поставте у піч. Установіть таймер на 5 хвилин, а перемикач режимів роботи – на максимум. Коли пролунає звуковий сигнал і піч вимкнеться, витягніть посуд та протріть стінки камери сухою тканиною.

ЗБЕРЕЖЕННЯ

- Переконайтеся, що піч відключена з електромережі і цілком охолонула.
- Виконайте усі вимоги розділу "ОЧИЩЕННЯ ТА ДОГЛЯД".
- Зберігайте піч з напіввідчиненими дверцятами у сухому чистому місці.



Цей символ на виробі, упаковці та/або в супровідній документації означає, що електричні та електронні виробні, а також батарейки, що були використані, не повинні викидатися разом із звичайними побутовими відходами. Їх потрібно здавати до спеціалізованих пунктів прийому.

Для отримання додаткової інформації щодо існуючих систем збору відходів зверніться до місцевих органів влади.

Належна утилізація допоможе зберегти цінні ресурси та запобігти можливому негативному впливу на здоров'я людей і стан навколишнього середовища, який може виникнути в результаті неправильного поводження з відходами.

KZ ПАЙДАЛАНУ ЖӨНІНДЕГІ НҰСҚАУЛЫҚ

- Құрметті сатып алушы! SCARLETT сауда таңбасының өнімін сатып алғаныңыз үшін және біздің компанияға сенім артқаныңыз үшін Сізге алғыс айтамыз. Іске пайдалану нұсқаулығында суреттелген техникалық талаптар орындалған жағдайда, SCARLETT компаниясы өзінің өнімдерінің жоғары сапасы мен сенімді жұмысына кепілдік береді.
- SCARLETT сауда таңбасының бұйымын тұрмыстық мұқтаждар шеңберінде пайдаланған және іске пайдалану нұсқаулығында келтірілген пайдалану ережелерін ұстанған кезде, бұйымның қызмет мерзімі бұйым тұтынушыға табыс етілген күннен бастап 2 (екі) жылды құрайды. Аталған шарттар орындалған жағдайда, бұйымның қызмет мерзімі өндіруші көрсеткен мерзімнен айтарлықтай асуы мүмкін екеніне өндіруші тұтынушылардың назарын аударады.

ҚАУІПСІЗДІК ӨЛШЕМДЕРІ

- ҚАУІПСІЗДІК БОЙЫНША МАҢЫЗДЫ МӘЛІМЕТТЕР. МҰҚИЯТ ОҚЫП ШЫҒЫҢЫЗ ДА, БОЛАШАҚТА ҚАРАУ ҮШІН САҚТАП ҚОЙЫҢЫЗ. Бұйымды дұрыс қолданбау оның бұзылуына әкелуі және сізге зиян келтіруі мүмкін.
- Алғашқы қосудың алдында бұйымның техникалық сипаттамасының жапсырмадағы, электр жүйесінде көрсетілген параметрлеріне сәйкестігін тексеріңіз.

HAZAP! Қоректену бауының шаңышқысының сымы және

жерлендіру контактісі бар. Құралды тек қана лайықты – жерлендірілген розеткаларға іске қосыңыз.

- Аспап тек тұрмыстық мақсаттарда ғана пайдалануға арналған. Аспап өнеркәсіптік және сауда-саттық мақсатында қолдануға, сондай-ақ мына жерлерде пайдалануға арналмаған:
 - дүкендердегі, кеңселердегі және басқа да өнеркәсіптік үй-жайлардағы қызметкерлерге арналған асуы аймақтарында;
 - фермерлердің үйлерінде;
 - қонақүйлерде, мотельдерде, пансионаттарда және соларға ұқсас тұрғын жайларда клиенттердің пайдалануына арналмаған.
- Жайдан тыс қолданылмайды.
- Жабдықты тазалаудың алдында немесе Сіз оны қолданбасаңыз электр жүйесінен әрқашан сөндіріп тастаңыз.
- Дене, жүйке не болмаса ақыл-ой кемістігі бар, немесе осы құрылғыны қауіпсіз пайдалану үшін тәжірибесі мен білімі жеткіліксіз адамдардың (соның ішінде балалардың) қауіпсіздігі үшін жауап беретін адам қадағаламаса немесе аспапты пайдалану бойынша нұсқау бермесе, олардың бұл аспапты қолдануына болмайды.
- Балалар аспаппен ойнамауы үшін оларды үнемі қадағалап отыру керек. Тоққа қосылған аспапты бақылаусыз қалдырмаңыз.
- Құрылғыны өз бетіңізше жөндеуге талпынбаңыз. Олқылықтар пайда болса жақын арадағы сервис орталығына апарыңыз.

ЕСКЕРТУ! Дұрыс қолданбаған кезде пайда болуы мүмкін қауіптер және пешті қауіпсіз қолдану туралы тисті түрде нұсқаулық түсіндірілген жағдайда ғана балаларға пешті қадағалаусыз қолдануға рұқсат етіледі.

- Қараусыз қосылған құралды қалдырмаңыз.
- Бересі жинаққа енгізілмеген керек-жарақтарды қолданбаңыз.
- Қуат сымы бүлінген жағдайда, қатерден аулақ болу үшін оны ауыстыруды өндіруші немесе ол уәкілеттік берген сервис орталығы немесе соған ұқсас білікті қызметкерлер іске асыруға тиіс.

ЕСКЕРТУ! Есікшеде немесе есікше нығыздауышында ақау болған жағдайда, білікті маман ақауды жоюға дейін пешпен жұмыс жасауға болмайды.

ЕСКЕРТУ! Қысқа толқынды сәулелену өтімінің жоғарылау қауіпінен қашу үшін, кезкелген қақпағын түсірумен байланысты барлық жөндеу жұмыстары тек қана маманмен атқарылуға тиісті.

- Қоректену бауының өткір жиектер және ыстық үстілерге тимеуін қадағалаңыз.
- Қоректену бауынан тартпаңыз, оны ширатпаңыз және құрылғының тұлғасын айнала орамаңыз.
- Микротолқынды пешті тек қана азықтарды даярлауға қолданыңыз. Еш жағдайда оған киімді, қағазды немесе басқа заттарды кептірмеңіз.

ЕСКЕРТУ! Ыдыстардың жарылуын болдырмау үшін сұйық немесе басқада тамақтарды жабық ыдыстарда қыздыруға болмайды.

- Сусындарды қысқа толқындар көмегімен қыздырған жағдайда бүлкілдеп қайнауға ұласуы мүмкін, сондықтан, ыдыстарды қолданған кезде байқап және сақ болу керек.
- Өнімдерді даярлау кезінде жарылмауы үшін, пешке салар алдында тығыз қабығын не терісін пышақпен немесе шаңышқымен тесіңіз, мысалы, картоптың, алманың, каштанның, шұжықтың және т.б.
- Пластик немесе қағаз сияқты тез жанатын материалдардан жасалған ыдыста азықтық тамақтарды пеште қыздырған кезде, жануын болдыртпау үшін пешті бақылап отыру керек.
- Пештің үрленетін шкафы жанбауы үшін қажет:
 - өнімдердің өте ұзаққа созылған даярлық нәтижесінде күйуінен қашақтау;

- өнімдерді микротолқынды пешке орамасыз салып, сондай-ақ фольгасыз пісіру;
- камера тұтанған кезде, есігін ашпай пешті өшіріңіз және оны электр жүйесінен сөндіріп тастаңыз.
- Пешті бос камерамен қоспаңыз. Камераны бірдеңе сақтауға қолданбаңыз.
- Микротолқынды пеш азықтарды консервілеуге арналмаған.
- Азықтарды тікелей камера түбіне қоймаңыз, шыны табақты пайдаланыңыз.
- Дайын азықтың температурасын әрқашан тексеріңіз, әсіресе, егер ол балалар үшін арналса. Даярлықтан кейін табақты лезде үстелге әкелмеңіз, оған аздап суынуға мұрша беріңіз.
- Даярлық рецептерін басшылыққа алыңыз, бірақ есте сақтаңыз, кейбір өнімдер (джемдер, пудингілер, ішіне бадам қант немесе цукаттар салынған пирог) өте жылдам қыздырылады.
- Қысқа тұйықталу және пештің бұзылмауы үшін, желдету тесіктеріне су тигізбеңіз.
- Шағын толқынды пеш тағам өнімдері мен сусындарды жылытуға арналған. Тағам өнімдерін немесе киімді кептіру және кілемше, шәрке, жөке, дымқыл киім және сол сияқты басқа заттарды қыздыру жарақатқа, олардың тұтануына және өрт шығуына әкелуі мүмкін.

НАЗАР:

- Азықарды тікелей шыны табаққа емес, арнайы ыдыста даярлау керек, тек арнайы рецеппен даярлайтын кезден ғана.
- Тек қана микротолқынды пештерге микротолқынды ыдысты қолданыңыз.
- Микротолқынды пеште даярлауға жарамды ыдысты оны әзірлеушінің нұсқауларымен қатал сәйкестікте пайдалану керек.
- Есте сақтаңыздар, микротолқынды пештегі ыдыстан бұрын ішіндегісі едәуір жылдам қыздырылады, сондықтан пештен ыдысты шығарар алдында бұмен күйіп қалмау үшін ықыласты болыңыз, қақпақты сақ ашыңыз.
- Өнімдерден алдын ала олардың орама бауын немесе металл және фольганы алып тастыңыз.
- **Микротолқынды пештерде жұмыртқаны қабығымен дайындауға және қатты піскен жұмыртқаны жылытуға болмайды, себебі олар микротолқынды қыздыру аяқталғаннан кейін де жарылып кетуі мүмкін.**
- Пешті таза күйінде ұстамау бетінің тозуына алып келеді, бұл аспаптың жұмысына кері әсерін тигізуі және пайдаланушы үшін ықтимал қауіп тудыруы мүмкін.
- Егер бұйым біршама уақыт 0°C-тан төмен температурада тұрса, іске қосар алдында оны кем дегенде 2 сағат бөлме температурасында ұстау керек.
- Өндіруші бұйымның қауіпсіздігіне, жұмыс өнімділігі мен жұмыс мүмкіндіктеріне түбегейлі әсер етпейтін болмашы өзгерістерді оның құрылмасына қосымша ескертпестен енгізу құқығын өзінде қалдырады.
- Өндірілген күні өнімде және/немесе қорапта, сондай-ақ қосымша құжаттарда көрсетілген.

МИКРОТОЛҚЫНДЫ ПЕШКЕ АРНАЛҒАН ЫДЫС

НАЗАР! Ыдыстағы таңбалармен және өндірушінің нұсқауларын басшылыққа алыңыз.

ЖАРАМДЫ

- **Қызуға төзімді шыны** – микротолқынды пеште даярлауға арналған ыдыстың ең жақсы материалы.
- **Термоқұшті пластик** – сондай ыдыста майы немесе қанты көп азықты даярлауға болмайды. Тығыз жабылатын контейнерлерді қолдануға болмайды.
- **Фаянс және фарфор** – микротолқынды пеште дайарау үшін жарамды, тек алтынданған, күмістелінген немесе сәндік металл элементтері бар ыдыс болмайды.
- **Арнайы орама** (қағаз, пластикалық және т.б.), микротолқынды пешке арналған – әзірлеушінің нұсқауларын бұлжытпай ұстанаңыз.

ЖАРАМСЫЗ

- **Өнімдердің сақтауына арналған қабыршақ, сонымен қатар термоқұшті полиэтилендік пакеттер** – етті және басқа азықтарды қуыруға жарамсыз.
- **Металл ыдыс (алюминийлік, тоттанбайтын болаттан т.б.) және тамақтық фольга*** – микротолқынды экрандайды; даярлау барысында қабырғаларға тисе – қуыру шкафта шоқтау және қысқа тұйықталу жасайды.
- **Қызып және күйіп кетпеу үшін*** азықтың бөлек бөлімдерінің бір қабат қана орауға болады. Қабырғаларға тиуге жол бермеңіз, оларға дейінгі ара қашықтық 2 см. кем емес болуы тиісті.
- **Балқығыш пластиктар** – микротолқынды пеште даярау үшін жаарамайды.
- **Лактанған ыдыс** – микротолқынды пеште әсерінен лак балқуы мүмкін.
- **Әдеттегі шыны (сонымен бірге фигуралық және жуан)** – жоғары қызулардың әсерінен формасы өзгеруі мүмкін.
- **Қағаз, сабан, ағаш** – жоғары қызу әсерінен тұтануы мүмкін.
- **Меламинды ыдыс** – микротолқынды сәулелерді жұта алады, бұл оның шытынауына немесе термодеструкция соқтырады және даярлау уақытын едәуір ұлғайтады.
- Пеште тағам өнімдерін пластмассадан немесе қағаздан жасалған ыдыста қыздырған кезде, жанып кетпеуі үшін пешті қадағалау керек.

МИКРОТОЛҚЫНДЫ ПЕШКЕ АРНАЛҒАН ЫДЫСТЫ ҚАЛАЙ АНЫҚТАУҒА БОЛАДЫ?

- Барынша көп қуаттылыққа жұмыс тәртіптерінің ауыстырып қосқышын пісіру және орнатуға қосыңыздар (барынша көп температура), сыйғызыңыздар тестіленетін ыдысты 1 минутқа пісіру және су стаканы қасында қойыңыздар (~ 250 мл).
- Ыдыс, жарамды ана микротолқынды ошақтар азық даярлығына арналған қалады ғой температураның, не және құрудың алдында пісіру, сол уақытта су жылынады.

ПАЙДАЛЫ КЕҢЕСТЕР

- Даярлық уақытына олардың өнімдердің біркелкі жылытуына арналған төңкеріңіздер.
- Тар кеңірдекпен ыдысты қолдану, шөлмектің, дәл осылай қалай олар жарыла алады.
- Өнімдердің температура өлшеуіне арналған термометрлерді қолдану. Арнайы термометрлер тек қана қолданыңыздар, арналғандар микротолқынды ошақтардың артынан.

СЕРВИСКЕ БҰРЫЛМАС БҰРЫН

- Егер пісіруге қосылмаса, тексеріңіздер:
 - Розетка тұзулік және электр жүйесінде күштену барысы;
 - Таймер құру дұрыстығы;
 - Тығыз есік жабық.

РАДИОТОСҚАУЫЛДАР

- Қабылдау жанында микротолқынды бөгеттерді шақыра алады денеде – немесе радиосигналдардың.
- Бөгеттер минимизация жасау үшін:
 - Есіктер және есіктер мен тығыздағыштар;
 - Микротолқынды ошақтан алысырақ болады қалай теледидар және радиоқабылдағышты қондырыңыздар;
 - Ең жақсы нәтиже жетуіне арналған қабылдау антеннаны ыңғайын табыңыздар.
 - Пісіру микротолқынды қосыңыздар және электр жүйесі әртүрлі сызықтарына қабылдағыш.

ҚҰРУ

- Көзі жетесіздер, не ошақ ішінде буып-түйетін материалдардың және бөтен заттарды жоқ.
- Тексеріңіздер, зақымдалған емес тасу жанында:
 - Есіктер мен тығыздағыштар;
 - Дене және байқау терезе;
 - Камера қабырғалары.

- Табылуда – ақауларды пісіруге қоспаңыздар; сатушыға немесе сервисті орталыққа бұрыласыздар.
- Тегіс горизонтальдық бетке пісіру микротолқынды орнатыңыздар, жеткілікті берікті, өнімдермен және ыдыспен ошақ салмағы шыдау үшін.
- Қайнарлар жақын маңда пісіруге орналастырмаңыздар тепла.
- Ештеңе қойып қоймаңыздар пісіру. Желдету тесіктерді қайта жаппаңыздар.
- Үшін ошақ нормалы жұмыстары желдетуге арналған азат кеңістік қажетті қамсыздандыру: кемірек емес: 20 см сверху, 10 см артқы панель жағынан және кемірек емес 5 см жақ жақтардан.

МИКРОТОЛҚЫНДЫ ОШАҚТАР ДАЙЫНДЫҚ ҚАБЫЛДАУЛАРЫ

- Азықтарды тек қана бір қабат орналастырыңыз, жуан кесектер шетіне жақынырақ қойыңыз.
- Даярлық уақытының ар жағында қадағалаңыздар, минимуммен оның сұрау қойыңыздар, қажеттілік өлшемімен бірте-бірте үлкейті. Өте ұзаққа созылғанның дайындыққа өнімдер түтей алады және тұтану.

ЕСКЕРТУ: Даярлау уақыты сонымен қатар азықтардың түрі, мөлшері және орналастырылуына тәуелді өзгере алады. Үлкен немесе жуан кесектер ұзағырақ өзірленеді, ал майдалары – тезірек.

- Азықтарды арнайы қақпақшалармен немесе пластикпен бір ұшын артық будың шығуы үшін қайырып жабыңыз, шығаруға арналған бұрыштардың екі. Қақпақшалар өте қатты қызады – олармен сақ болыңыз!
- Үшін біркелкі жылыту көбірек және даярлық тездетулері өнімдерді төңкеріңіздер және араластырыңыздар.
- Дөңгелектер | сопақ табақтың, айырмашылыққа квадраттардың тік бұрыштылардың, біркелкі жылыту көбірек сонымен қатар қамсыздандырады.
- Азықтарды орамасыз терең емес тұғырықта немесе микротолқынды өңдеуге арналған торда айналмалы шыны табақты міндетті қолданып жібітіңіз. Өнімдерді тоңазытқанда, оларға мүмкіндігінше ықшам түрді беріңіз.
- Азықтардың ара қашықтығы біркелкі өңдеуді қамсыздандыру үшін, мысалы, көкөністермен, кекстермен және т.б., 2,5 см аз емес болуға тиіс.
- Азықтың жарылмауы үшін тығыз қабығын немесе тысын тесіңіз.
- Тек қана дайын және мұздалған азықтарды оларды араластыра қыздырыңыз.
- Попкорн – өндірушінің нұсқауларын қатал ұстаныңыз және микротолқынды пешті қарусыз қалдырмаңыз. Егер азық тиісті уақытта дайын болмаса, пісіруді тоқтатыңыз. Өте ұзаққа созылған өңдеу өртенуге әкелуі мүмкін.

САҚТЫҚ: Попкорнды даярлау үшін қызыл қоңыр қағаздан жасалған пакеттерді қолданбаңыз және дөңдердің қалдықтарын қолдануға тырыспаңыз. Попкорнның орамасын тікелей шыны табаққа орналастырмаңыз, оны тәрелкеге қойыңыз.

ЖҰМЫС

- Пешті электр жүйесіне қосыңыз.
 - Өнімдерді пешке салыңыз және есікті жабыңыз.
- ЕСКЕРТУ:** Есік ашық кезінде пеш жұмыс істемейді.
- Кестені басшылыққа ала ауыстырып қосқышпен өңдеу тәртібін орнатыңыз.

Power	Жұмыс тәртібі	Қуаттылық деңгейі
Low	ЖЫЛЫТУ	17%
Defrost	ЖІБІТУ. Азықтарды орамасыз терең емес тұғырықта немесе микротолқынды өңдеуге арналған торда жібітіңіз, әлбетте айналмалы шыны табақпен. Өнімдер тоңазытқанда, оларға мүмкіндігінше ықшам түр беріңіз.	37%
M-Low	Ет және құс	40%
Med	Омлеттер, пісіру, кремдер	66%
M.High	Бүтербродтар, пицца	85%

High	Пісіру, ет және балық, пісірілген картоп және басқа көкөністер, попкорн.	100%
------	--	------

- Таймерді қажетті уақытқа орнатыңыз.
- ТАЙМЕР**
- **30** минут аралығында өңдеу уақытын қою үшін қызмет етеді.
 - Пешті қосу үшін таймерді тұтқасын сағат тілімен айналдырыңыз.
 - Тұтқаны әрі қарай бұрап, тілеген уақытты қойыңыз.
 - Таймерді қою кезінен бастап пеш қосылады да ішкі жарық және желдету жұмыс істей бастайды.
 - Егер даярлауды доғару қажет болса, таймерді «0» күйге орнатыңыз немесе есікті ашыңыз.

НАЗАР: Егер өнімдер даярлау уақытынан бұрын алынған болса және сіз дайындауды жалғастырмасаңыз таймерді әрқашан «0» күйге қайтарып қойыңыз.

НАЗАР: егер өңдеуге арналған уақыт 2 минуттан кем болса, алдымен таймерді 3 минутты белгінің артына айналдырыңыз да қажетті күйге содан соң қайтарыңыз.

- Қойылған уақыт өткен соң пеш автоматты сөніп қалады және дыбысты сигнал естіледі.

ДАЯРЛЫҚ ТОҚТАТА ТҰРУ

- Бұл қызмет өнімнің даярлық дәрежесін тексеру үшін пайдалы.
- Өңдеуді есікті жай ашумен ғана тоқтатуға болады. Егер оны жапса, процес жалғасады.

ТАЗАЛАУ ЖӘНЕ КҮТІМ

- Пешті тұрақты түрде тазарту және оның бетінен кез келген тағам қалдығын жою керек.
- Тазалаудың алдында электр жүйесінен пісіруге өшіріңіздер және сөндіріп тастаңыздар.
- Ошақтар толық суынуға беріңіз.
- Жуатын құралмен дымқыл матамен басқару панель, сыртқы және ішкі беттер, шыны табақты сүртіңіздер.
- Агрессиялық заттар немесе қайрақ материалдарды қолданбаңыздар.
- Жағымсыз иіс қашықтату үшін, қандай болмасын терең ыдысқа құйыңыздар, жарамдыны микротолқынды ошақтардың артынан, су стаканы бір лимоннан шырынмен, және қойыңыздар пісіру 5 минутқа таймер, барынша көп жайға жұмыс тәртіптерінің ауыстырып қосқышын орнатыңыздар. Қашан дыбысты сигнал естіледі және сөніп қалуға пісіру, извлекайте ыдысты және матамен құрғақ камера қабырғалары сүртіңіздер.

САҚТАУ

- Кезі жетесіздер, не электр жүйесінен сөндірілгенге пісіру және толық суынды.
- Бөлім талаптары барлық орындаңыздар “ТАЗАЛАУ ЖӘНЕ КҮТІМ”.
- Құрғақ таза орында есікпен аздап ашықпен пісіруге сақтаңыздар.



■ Өнімдегі, қораптағы және/немесе қосымша құжаттағы осындай белгі қолданылған электрлік және электрондық бұйымдар мен батареялар кәдімгі тұрмыстық қалдықтармен бірге шығарылмауы керек дегенді білдіреді. Оларды арнайы қабылдау бөлімшелеріне өткізу қажет. Қалдықтарды жинау жүйелері туралы қосымша мәліметтер алу үшін жергілікті басқару органдарына хабарласыңыз. Қалдықтарды дұрыс кәдеге жарату бағалы ресурстарды сақтауға және қалдықтарды дұрыс шығармау салдарынан адамның денсаулығына және қоршаған ортаға келетін теріс әсерлердің алдын алуға көмектеседі.